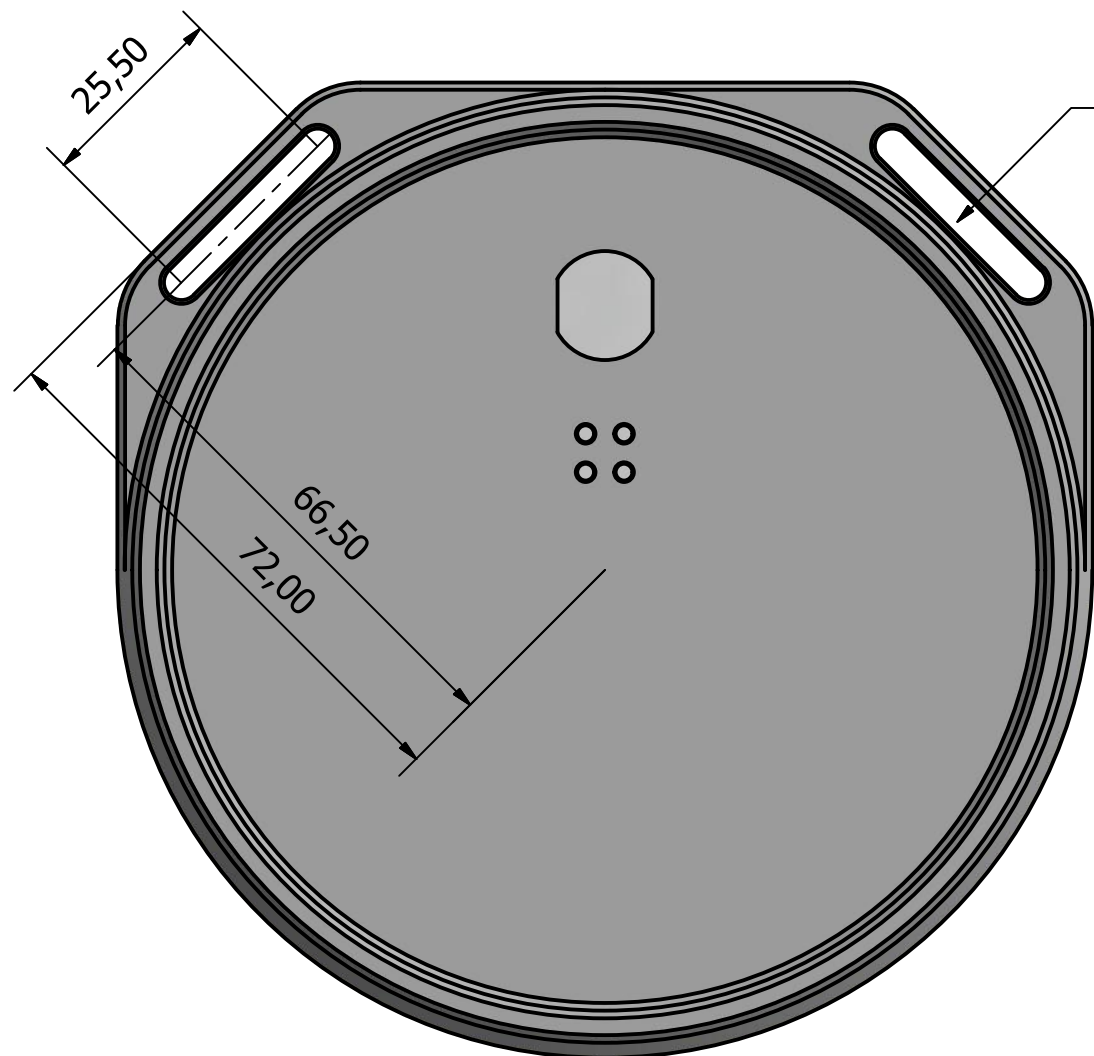


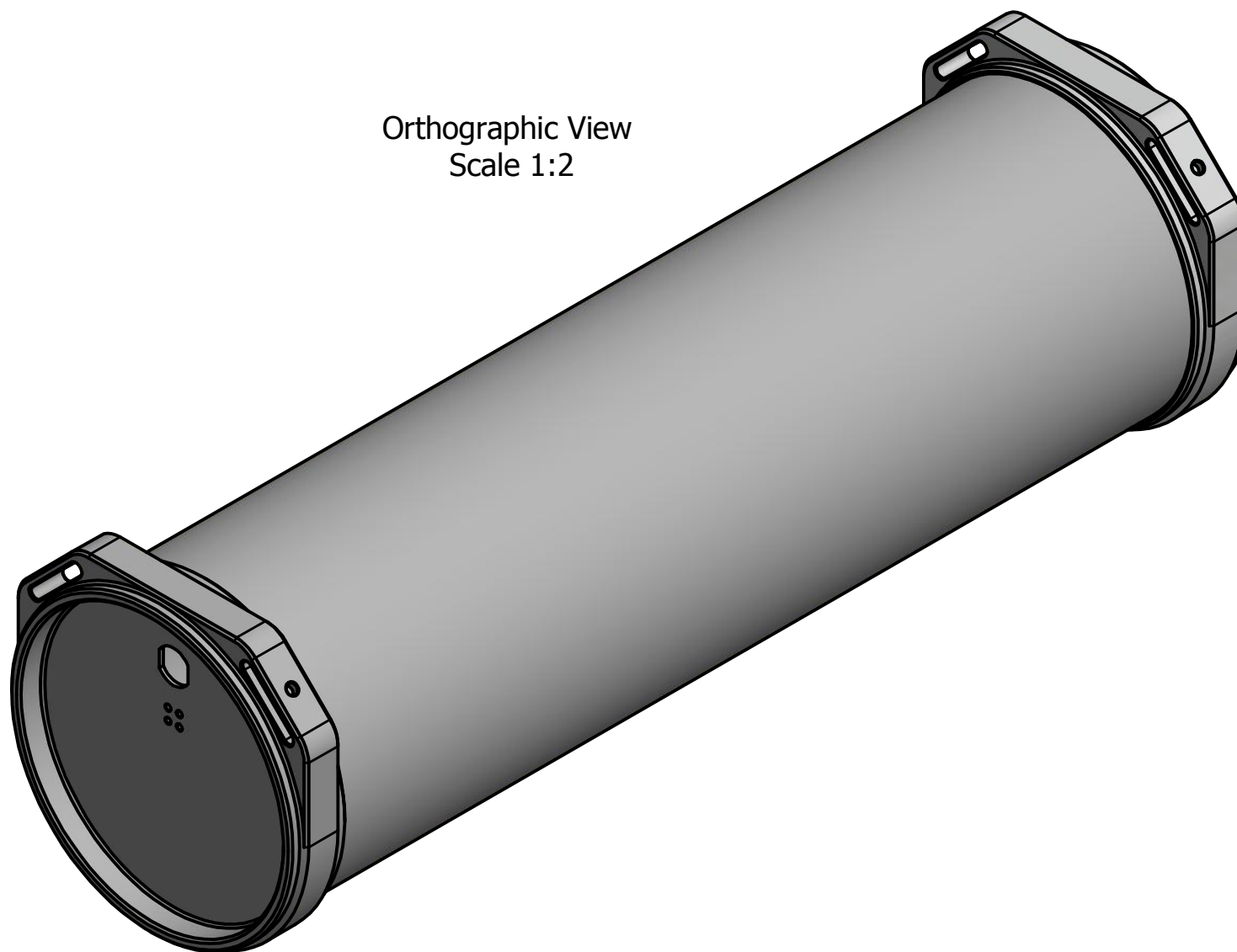
MS1000.C.XXX.DDD

TABLE		
Column 1	Column 2	Column 3
XXX	CSI	Cesium Iodide (Na)
XXX	NAI	Sodium Iodide (TI)
DDD	UAS	Unmanned Aerial System
DDD	MTS	Manned Terra System
DDD	UTS	Unmanned Terra System



Webbing Lacing Slot Use Cable Ties or 20-25mm Webbing to Attach to Drone

Orthographic View
Scale 1:2

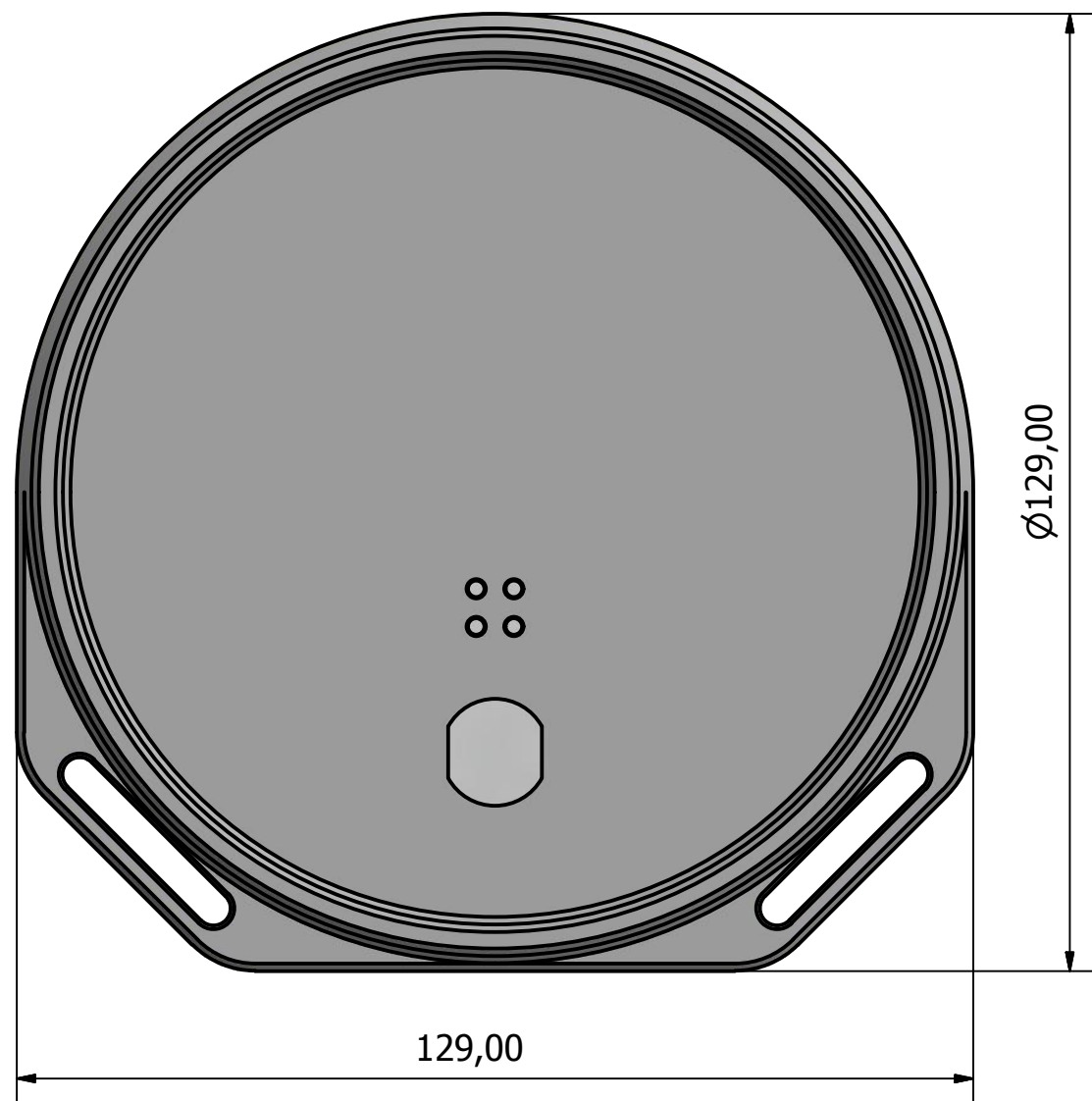


End Cap Elevation
Scale 1:1

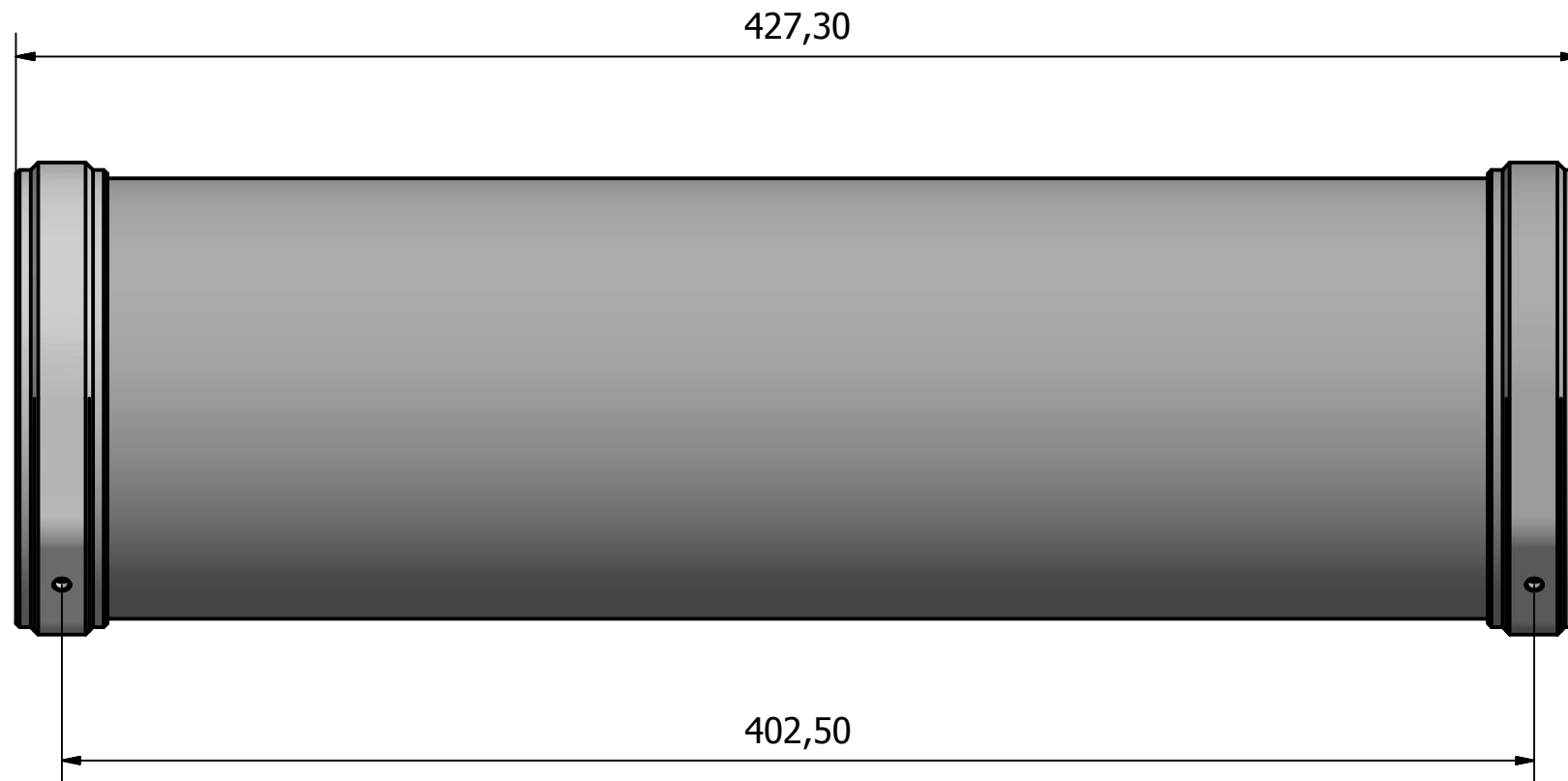
REVISION HISTORY				
ZONE	REV	DESCRIPTIO	DATE	APPROVED
	3	V3 End Caps	12/19/2018	

Designed by Jon	Checked by JH	Approved by	Date 5/9/2018
GeoDuster Technologies cc Office 14B, Woodmill Lane, Main Road, Knysna, RSA		MEDUSA NEW 2018 Drone Spectrometer	
MS1000.C.CSI.UAS_Ver3_400		Edition 3	Sheet 1 / 3

SPC_Xtal_Assy_MS1000

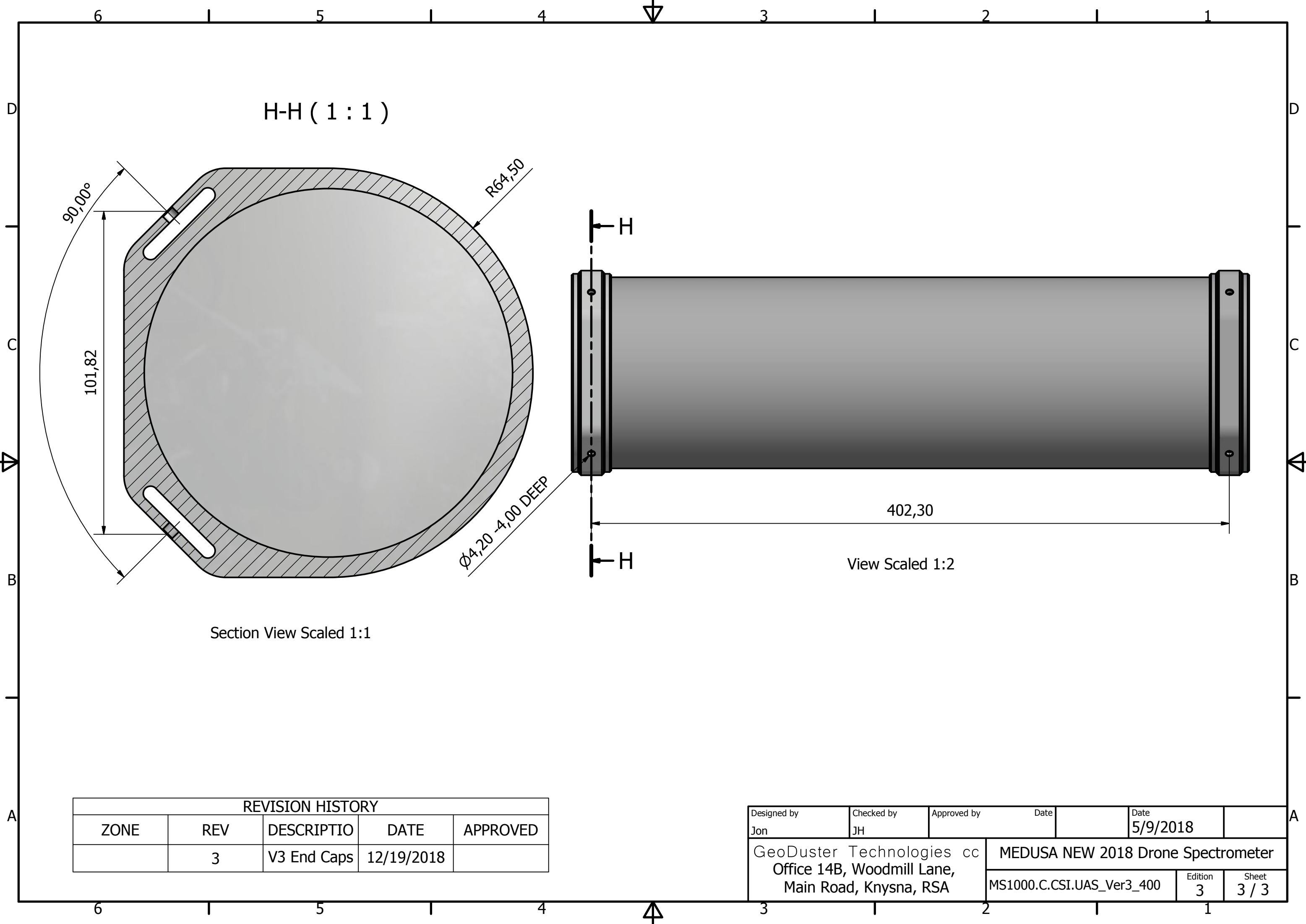


View Scaled 1:1

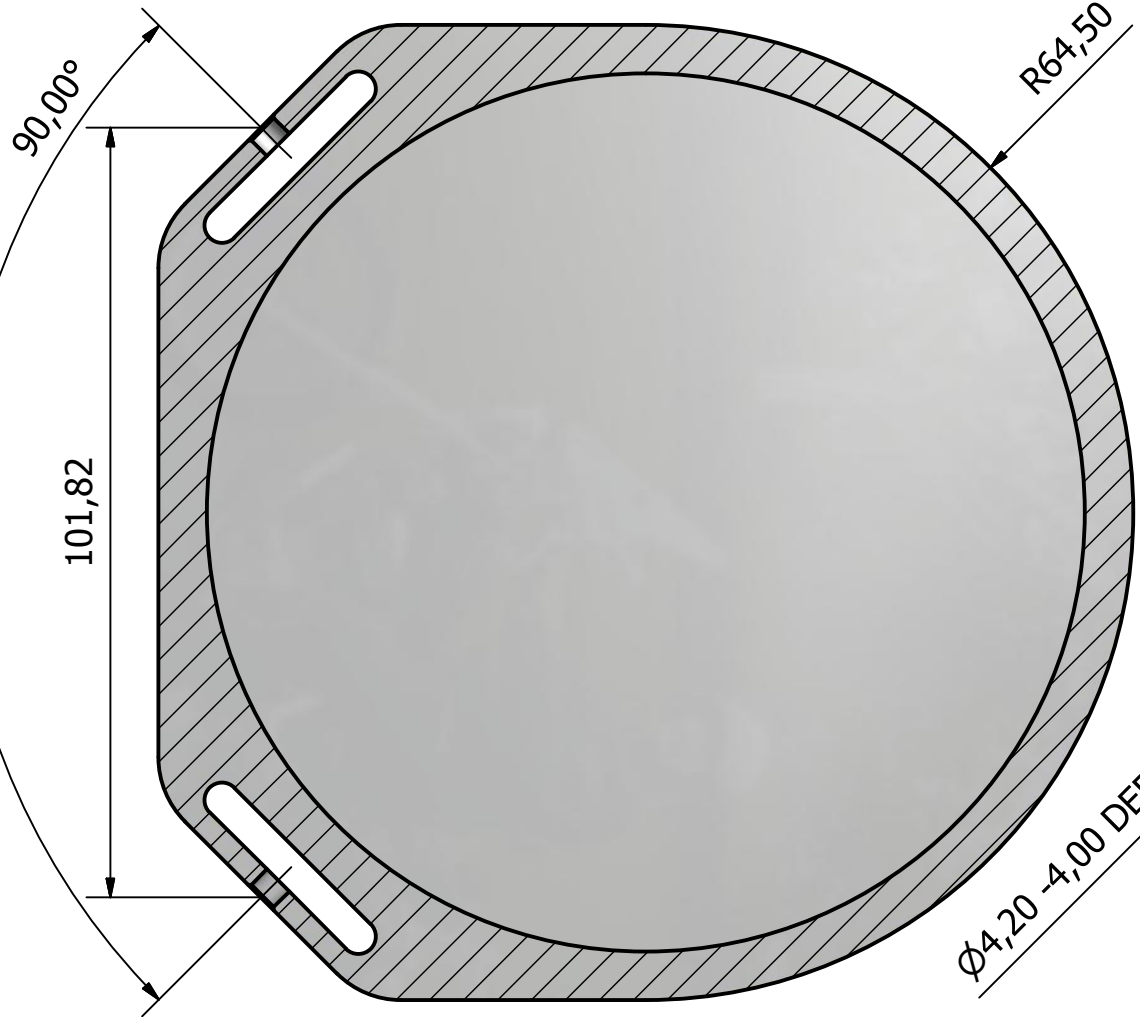


View Scaled 1:2

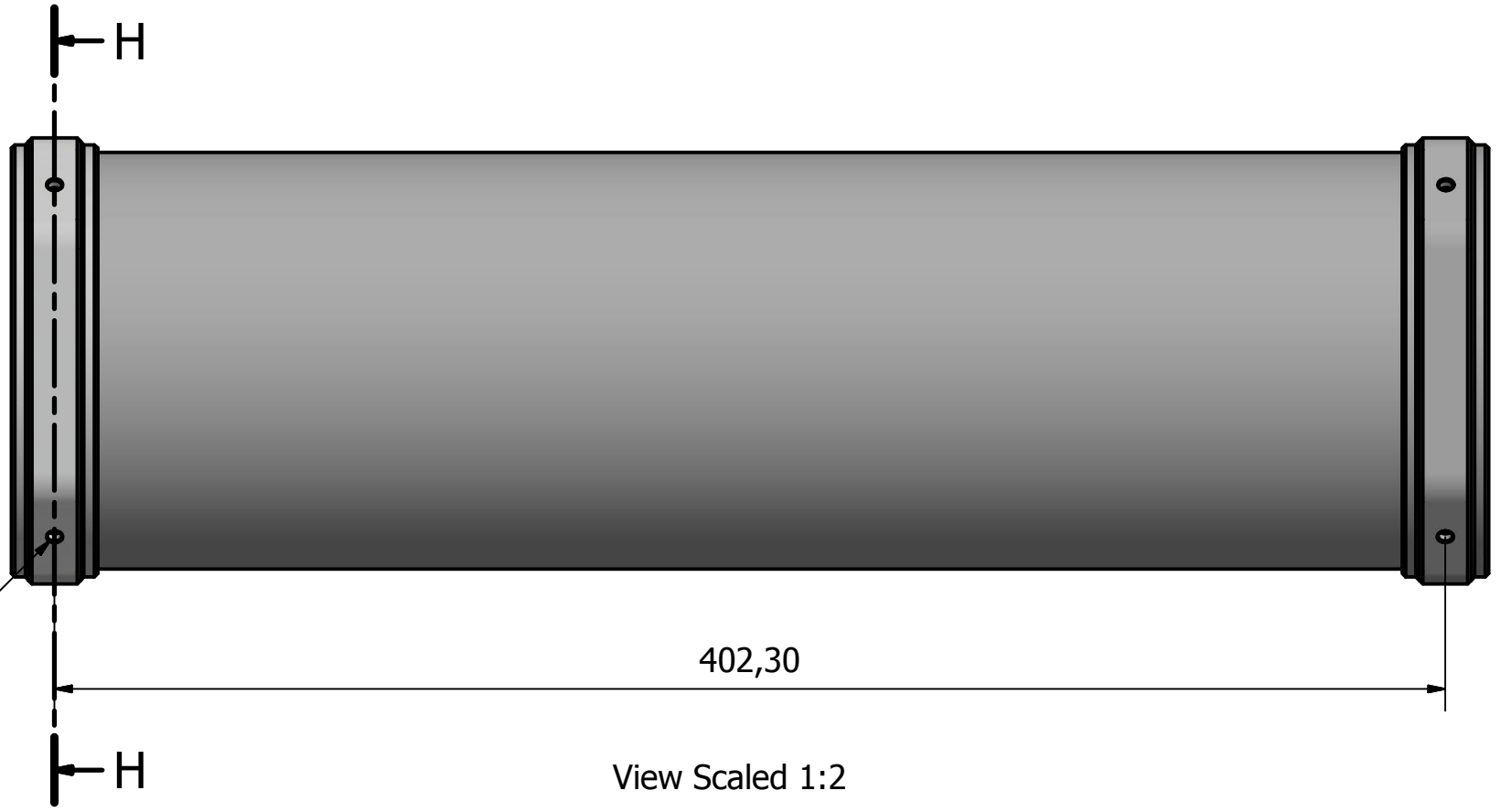
Designed by Jon	Checked by JH	Approved by	Date	Date 5/9/2018
GeoDuster Technologies cc Office 14B, Woodmill Lane, Main Road, Knysna, RSA		MEDUSA NEW 2018 Drone Spectrometer		
MS1000.C.CSI.UAS_Ver3_400		Edition 3	Sheet 2 / 3	



H-H (1 : 1)



Section View Scaled 1:1



402,30

View Scaled 1:2

REVISION HISTORY				
ZONE	REV	DESCRIPTIO	DATE	APPROVED
	3	V3 End Caps	12/19/2018	

Designed by Jon	Checked by JH	Approved by	Date 5/9/2018	Date
GeoDuster Technologies cc Office 14B, Woodmill Lane, Main Road, Knysna, RSA			MEDUSA NEW 2018 Drone Spectrometer	
MS1000.C.CSI.UAS_Ver3_400			Edition 3	Sheet 3 / 3