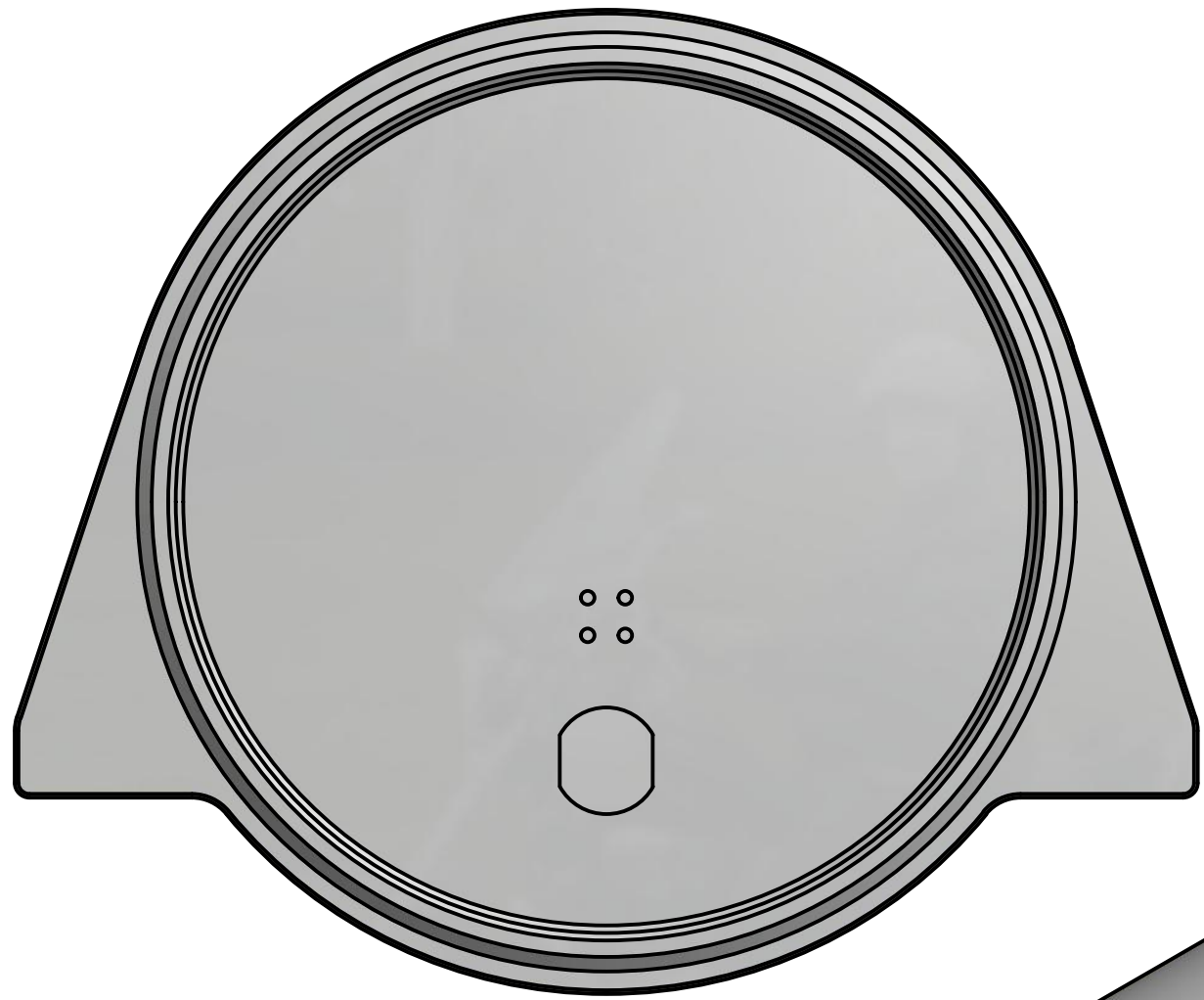
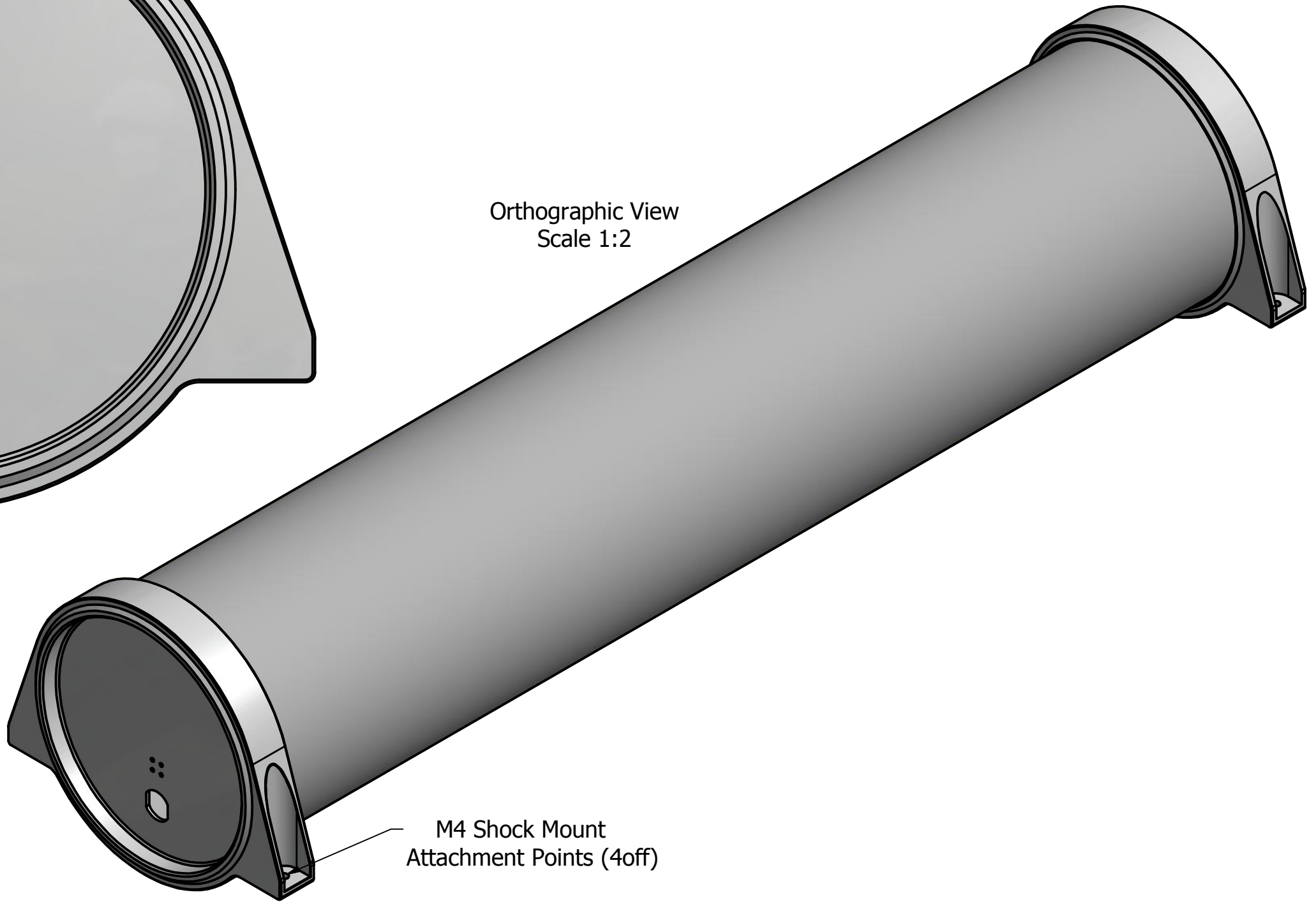


MS2000.C.XXX.DDD

TABLE		
Variable	Model	Identifier
XXX	CSI	Cesium Iodide (Na)
XXX	NAI	Sodium Iodide (TI)
DDD	MTS	Manned Terra System
DDD	UTS	Unmanned Terra System



Active End View
Scale 1:1

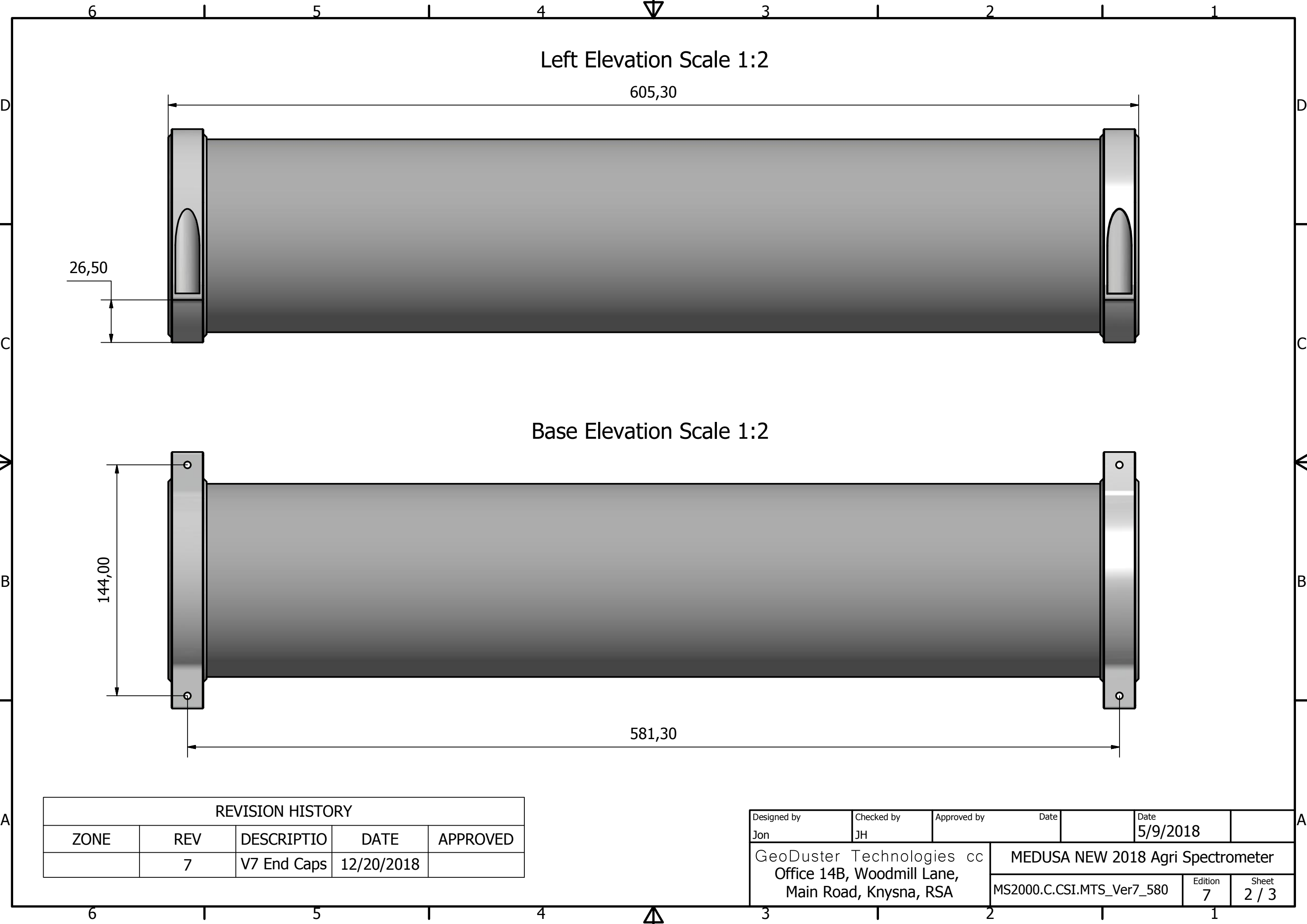


Orthographic View
Scale 1:2

M4 Shock Mount
Attachment Points (4off)

REVISION HISTORY				
ZONE	REV	DESCRIPTION	DATE	APPROVED
	7	V7 End Caps	12/20/2018	

Designed by Jon	Checked by JH	Approved by	Date 5/9/2018
GeoDuster Technologies cc Office 14B, Woodmill Lane, Main Road, Knysna, RSA		MEDUSA NEW 2018 Agri Spectrometer	
MS2000.C.CSI.MTS_Ver7_580		Edition 7	Sheet 1 / 3



Left Elevation Scale 1:2

605,30

26,50

Base Elevation Scale 1:2

144,00

581,30

REVISION HISTORY

ZONE	REV	DESCRIPTIO	DATE	APPROVED
	7	V7 End Caps	12/20/2018	

Designed by Jon	Checked by JH	Approved by	Date 5/9/2018
GeoDuster Technologies cc Office 14B, Woodmill Lane, Main Road, Knysna, RSA		MEDUSA NEW 2018 Agri Spectrometer	
MS2000.C.CSI.MTS_Ver7_580		Edition 7	Sheet 2 / 3

