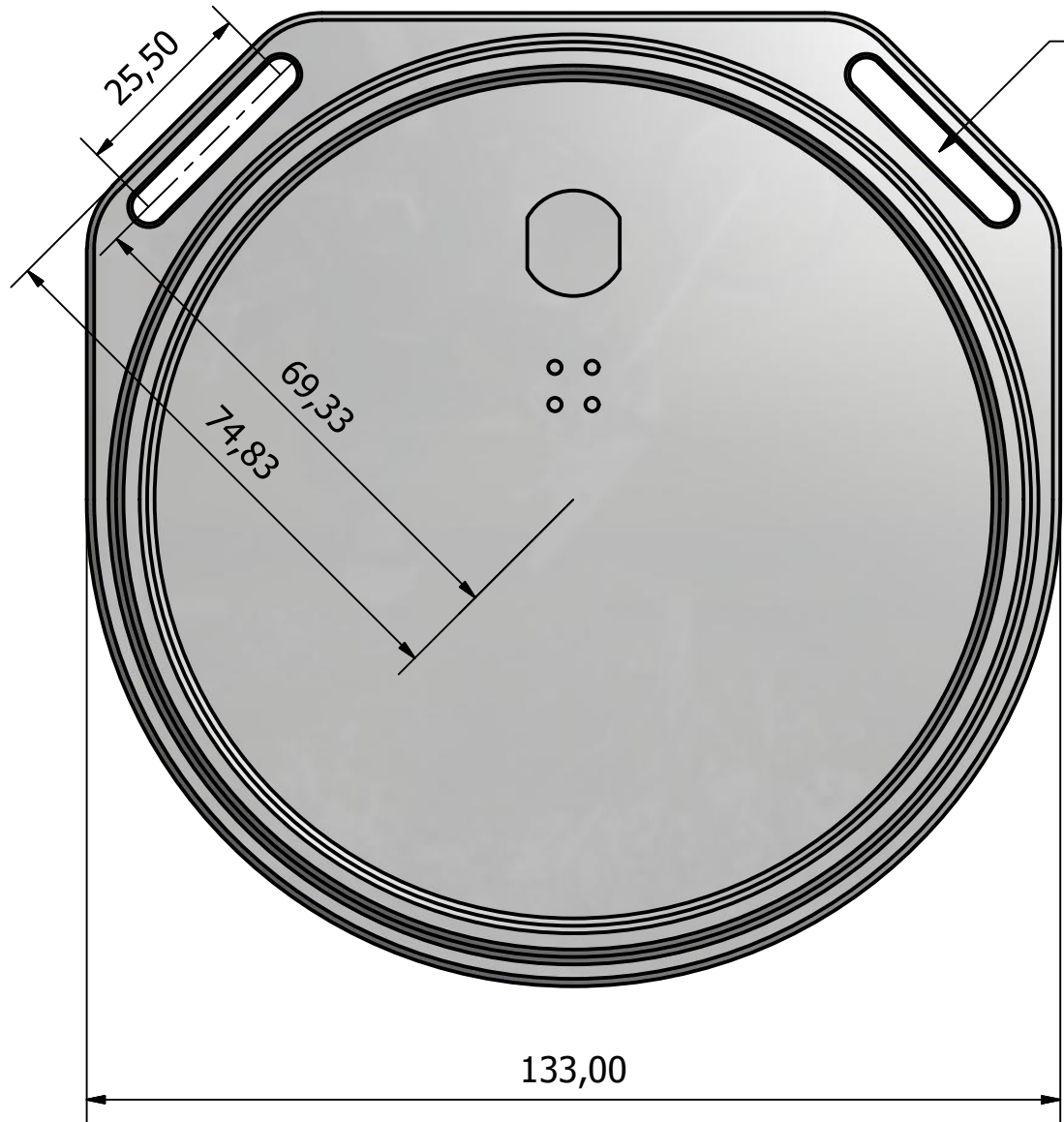


MS350.C.XXX.DDD

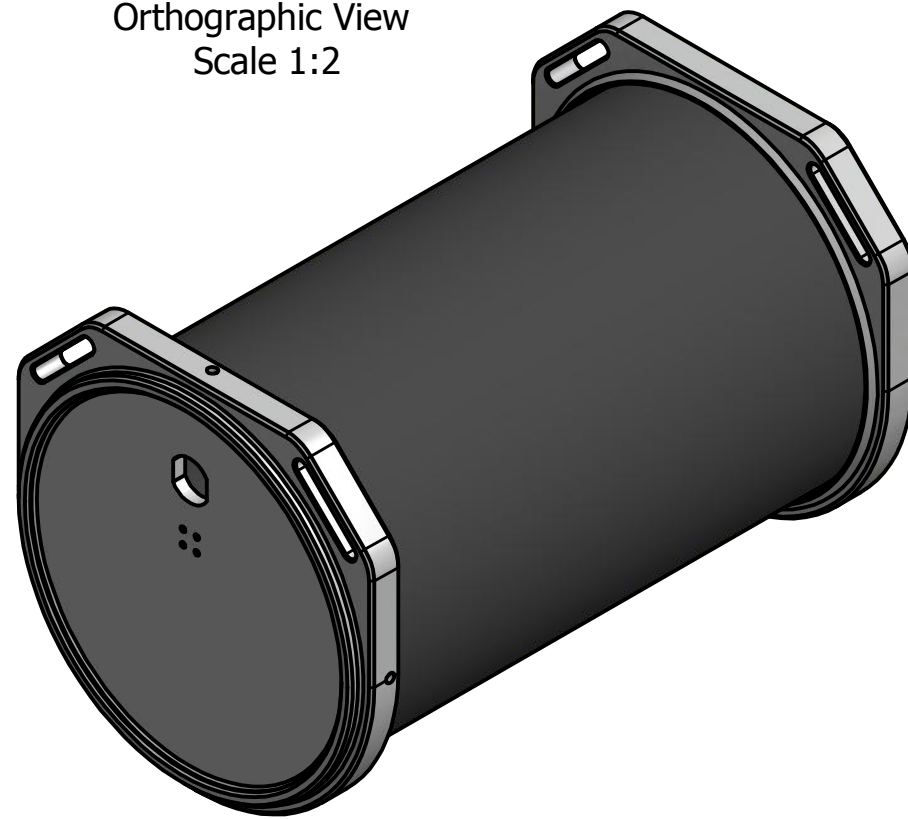


Webbing Lacing Slot Use Cable Ties or 20-25mm Webbing to Attach to Drone

End Cap Elevation
Scale 1:1

TABLE		
Column 1	Column 2	Column 3
XXX	CSI	Cesium Iodide (Na)
XXX	NAI	Sodium Iodide (TI)
DDD	UAS	Unmanned Aerial System
DDD	MTS	Manned Terra System
DDD	UTS	Unmanned Terra System

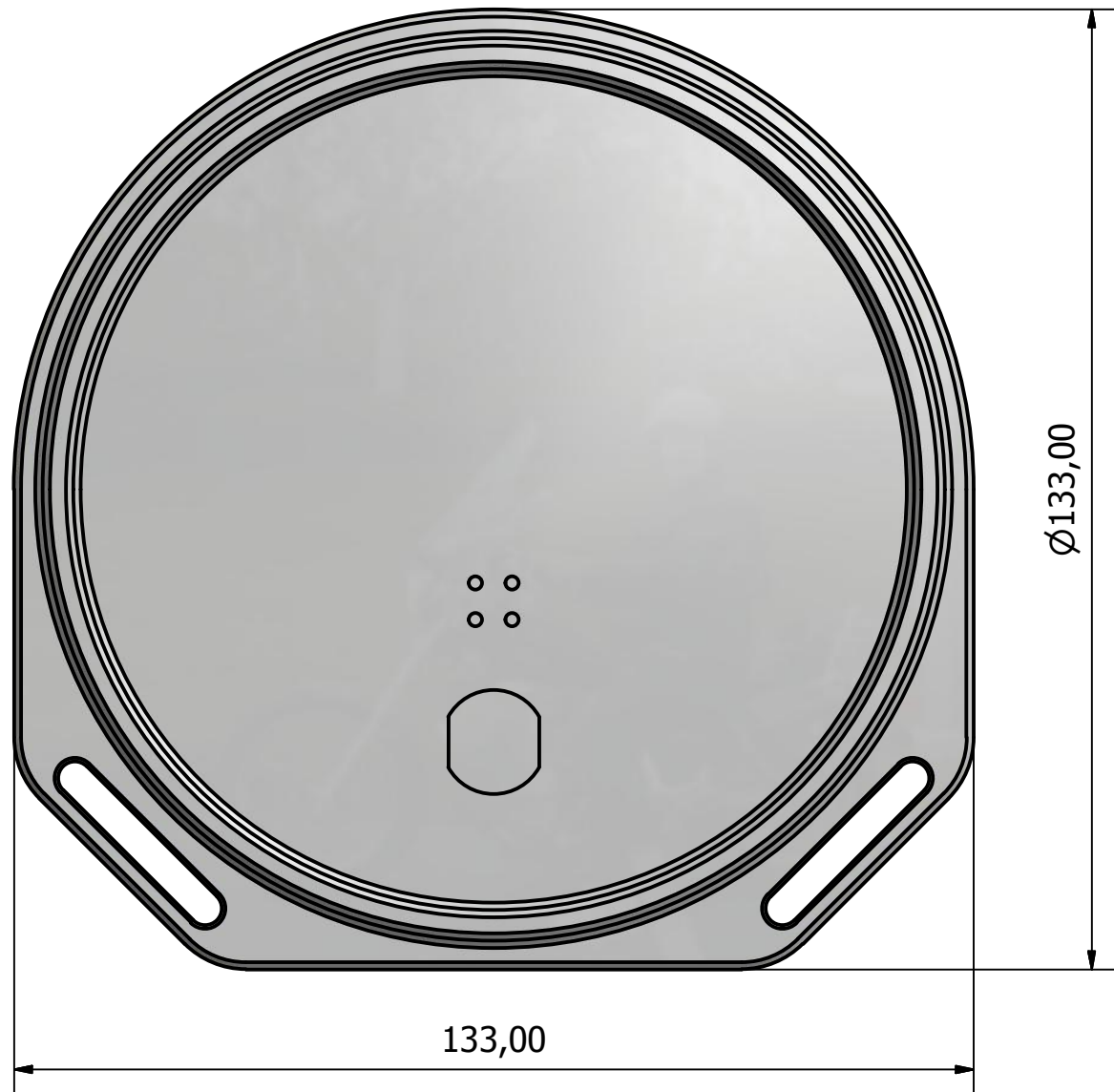
Orthographic View
Scale 1:2



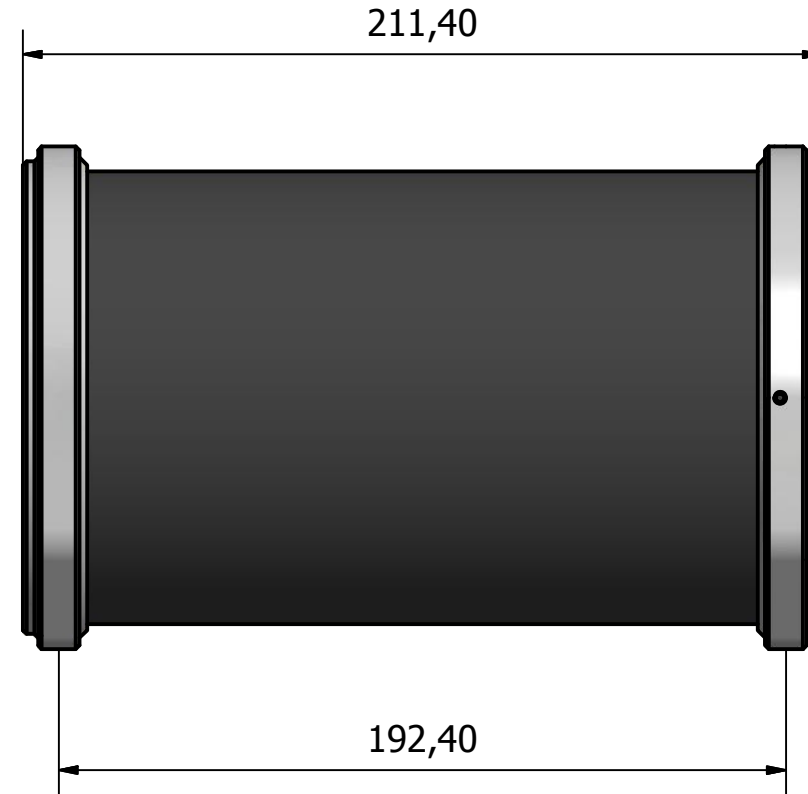
REVISION HISTORY				
ZONE	REV	DESCRIPTION	DATE	APPROVED
	1	V55 End Caps	10/22/2019	

Designed by Jon	Checked by JH	Approved by	Date 07/22/2019	Date
GeoDuster Technologies cc Office 14B, Woodmill Lane, Main Road, Knysna, RSA		MEDUSA NEW 2019 Drone Spectrometer		
MS350.C.CSI.UAS_Ver55_200		Edition 3	Sheet 1 / 3	

SPC_Xtal_Assy_MS350



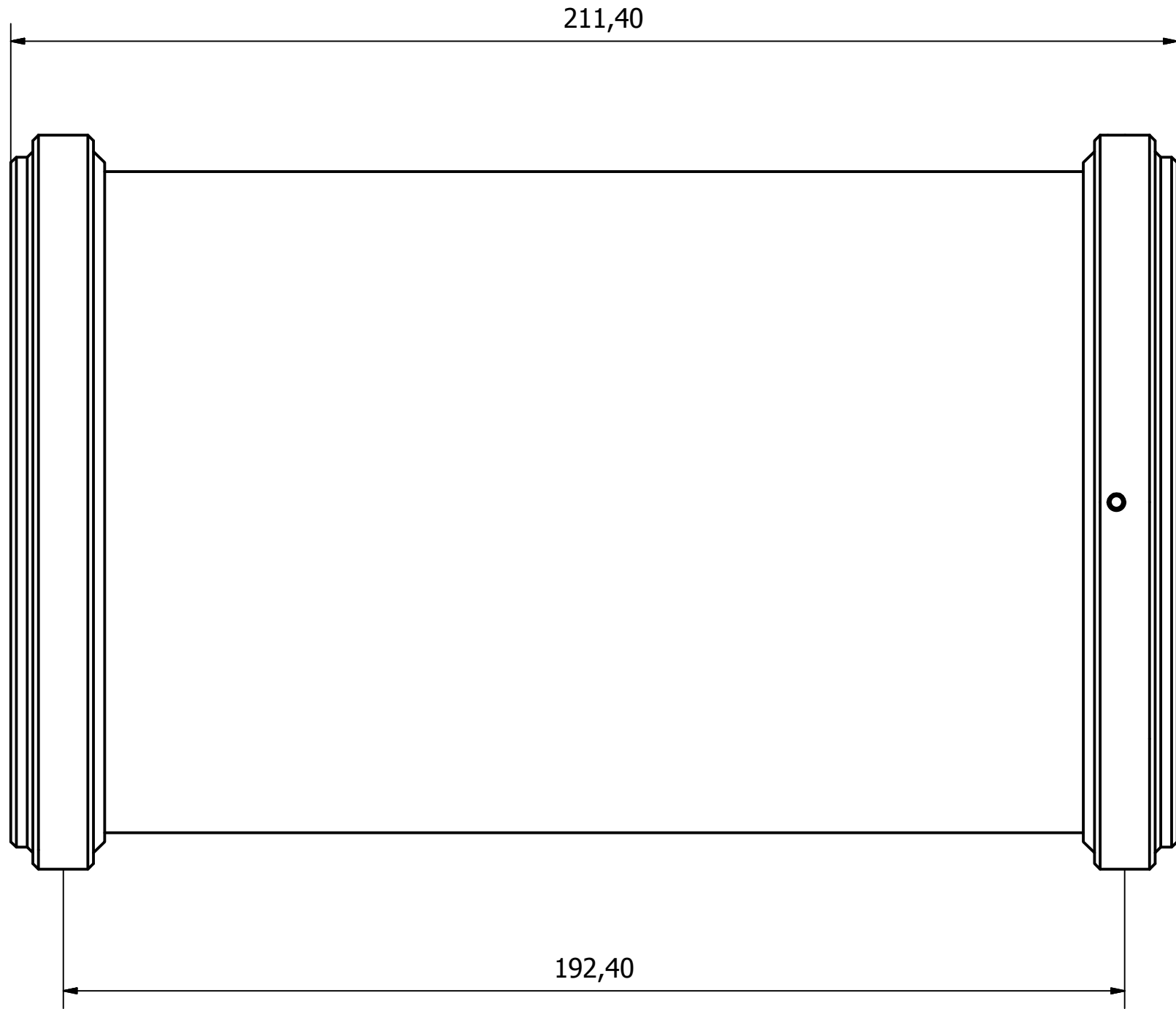
View Scaled 1:1



View Scaled 1:2

Designed by Jon	Checked by JH	Approved by	Date	Date 07/22/2019
GeoDuster Technologies cc Office 14B, Woodmill Lane, Main Road, Knysna, RSA		MEDUSA NEW 2019 Drone Spectrometer		
MS350.C.CSI.UAS_Ver55_200		Edition 3	Sheet 2 / 3	

SPC_Xtal_Assy_MS350



Designed by Jon	Checked by JH	Approved by	Date	Date 07/22/2019		
GeoDuster Technologies cc Office 14B, Woodmill Lane, Main Road, Knysna, RSA			MEDUSA NEW 2019 Drone Spectrometer			
			MS350.C.CSI.UAS_Ver55_200	<table border="1"> <tr> <td>Edition 3</td> <td>Sheet 3 / 3</td> </tr> </table>	Edition 3	Sheet 3 / 3
Edition 3	Sheet 3 / 3					