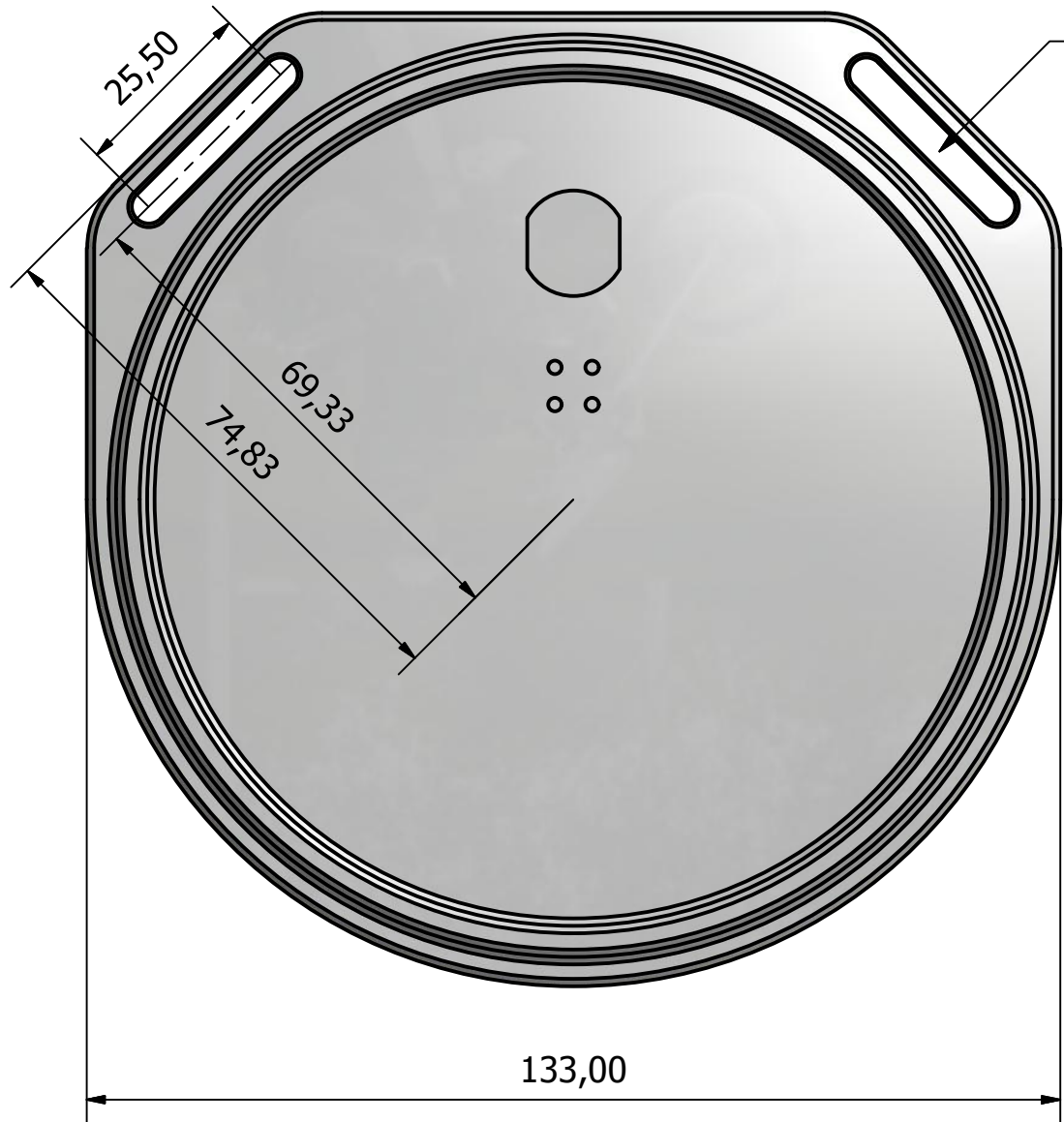


MS700.C.XXX.DDD



Webbing Lacing Slot Use Cable Ties or 20-25mm Webbing to Attach to Drone

End Cap Elevation  
Scale 1:1

Orthographic View  
Scale 1:2

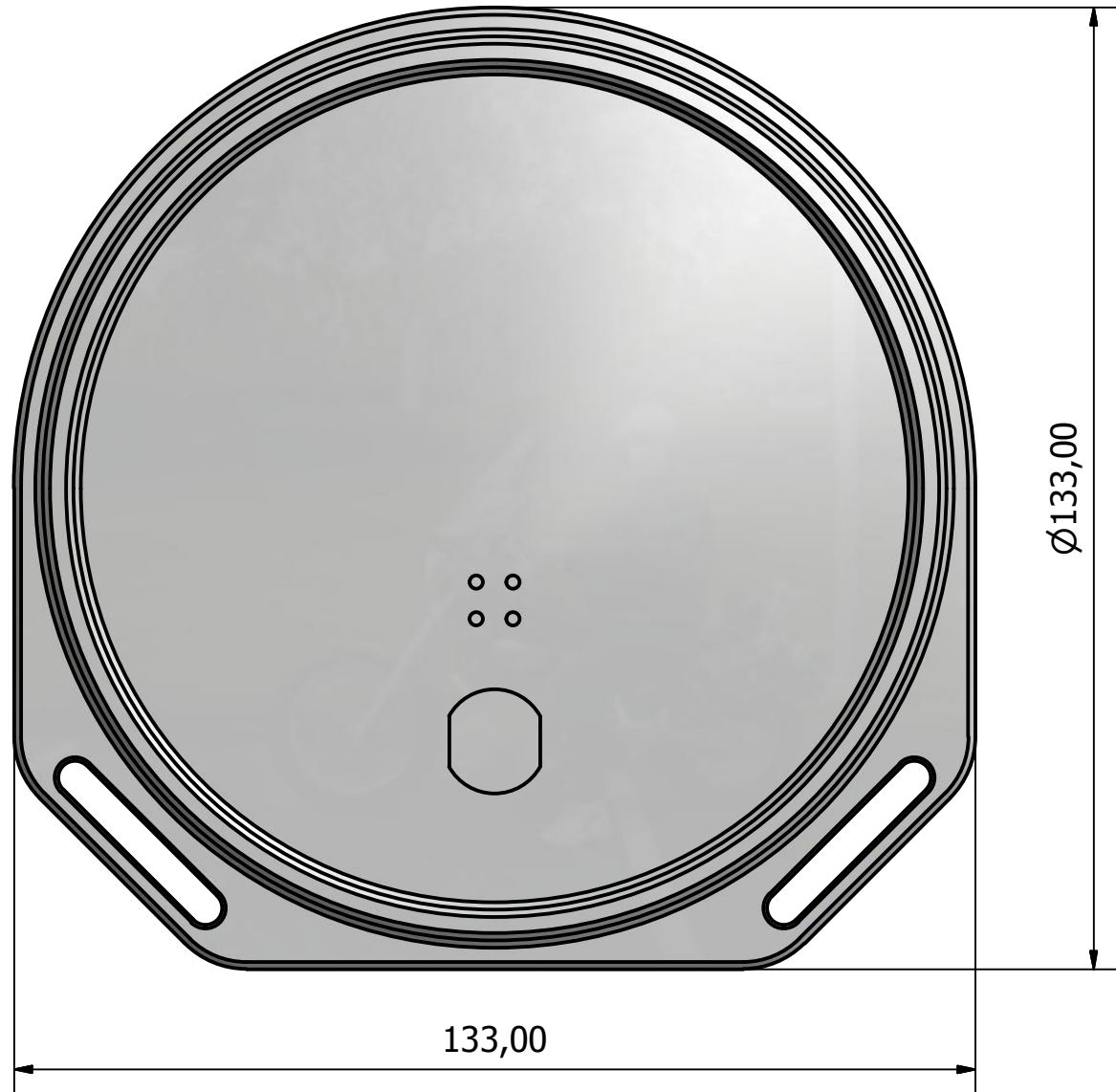


TABLE		
Column 1	Column 2	Column 3
XXX	CSI	Cesium Iodide (Na)
XXX	NAI	Sodium Iodide (TI)
DDD	UAS	Unmanned Aerial System
DDD	MTS	Manned Terra System
DDD	UTS	Unmanned Terra System

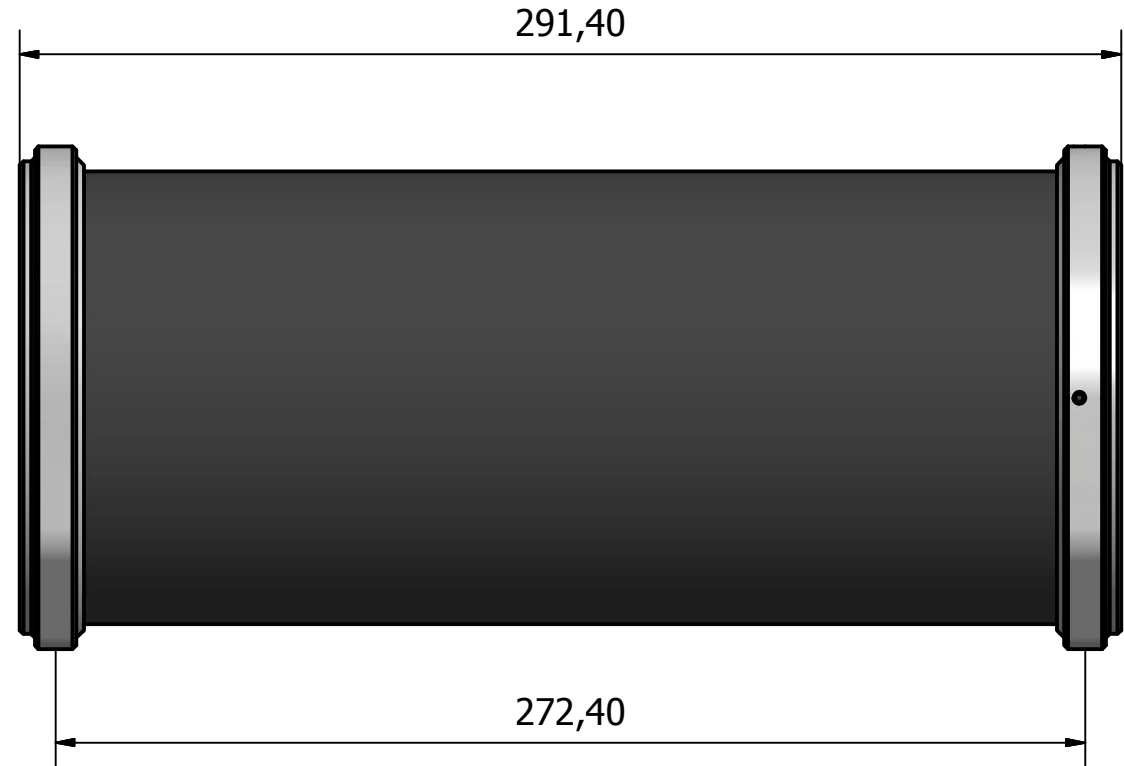
REVISION HISTORY				
ZONE	REV	DESCRIPTION	DATE	APPROVED
	1	V55 End Caps	10/22/2019	JH

Designed by Jon	Checked by JH	Approved by	Date 07/22/2019	Date
GeoDuster Technologies cc Office 14B, Woodmill Lane, Main Road, Knysna, RSA		MEDUSA NEW 2019 Drone Spectrometer		
MS700.C.CSI.UAS_Ver55_280		Edition 3	Sheet 1 / 3	

SPC\_Xtal\_Assy\_MS700



View Scaled 1:1



View Scaled 1:2

Designed by Jon	Checked by JH	Approved by	Date	Date 07/22/2019
GeoDuster Technologies cc Office 14B, Woodmill Lane, Main Road, Knysna, RSA		MEDUSA NEW 2019 Drone Spectrometer		
MS700.C.CSI.UAS_Ver55_280		Edition 3	Sheet 2 / 3	

# SPC\_Xtal\_Assy\_MS700



Designed by Jon	Checked by JH	Approved by	Date	Date 07/22/2019
GeoDuster Technologies cc Office 14B, Woodmill Lane, Main Road, Knysna, RSA			MEDUSA NEW 2019 Drone Spectrometer	
MS700.C.CSI.UAS_Ver55_280			Edition 3	Sheet 3 / 3