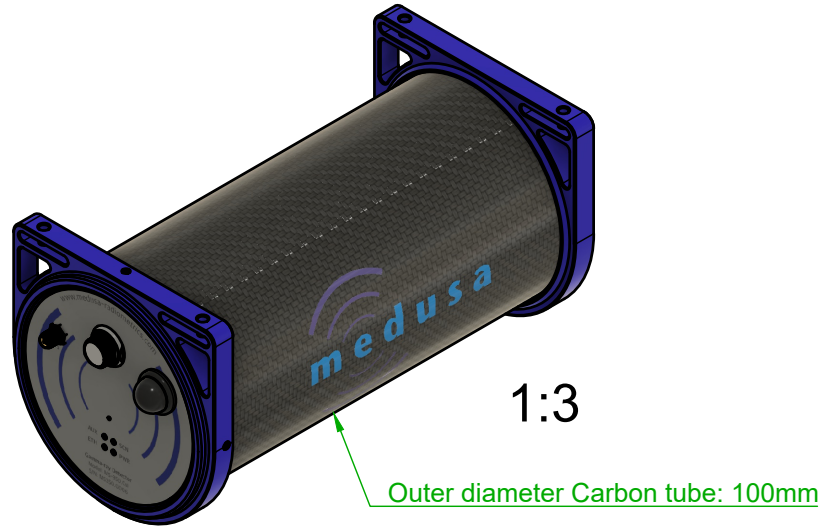
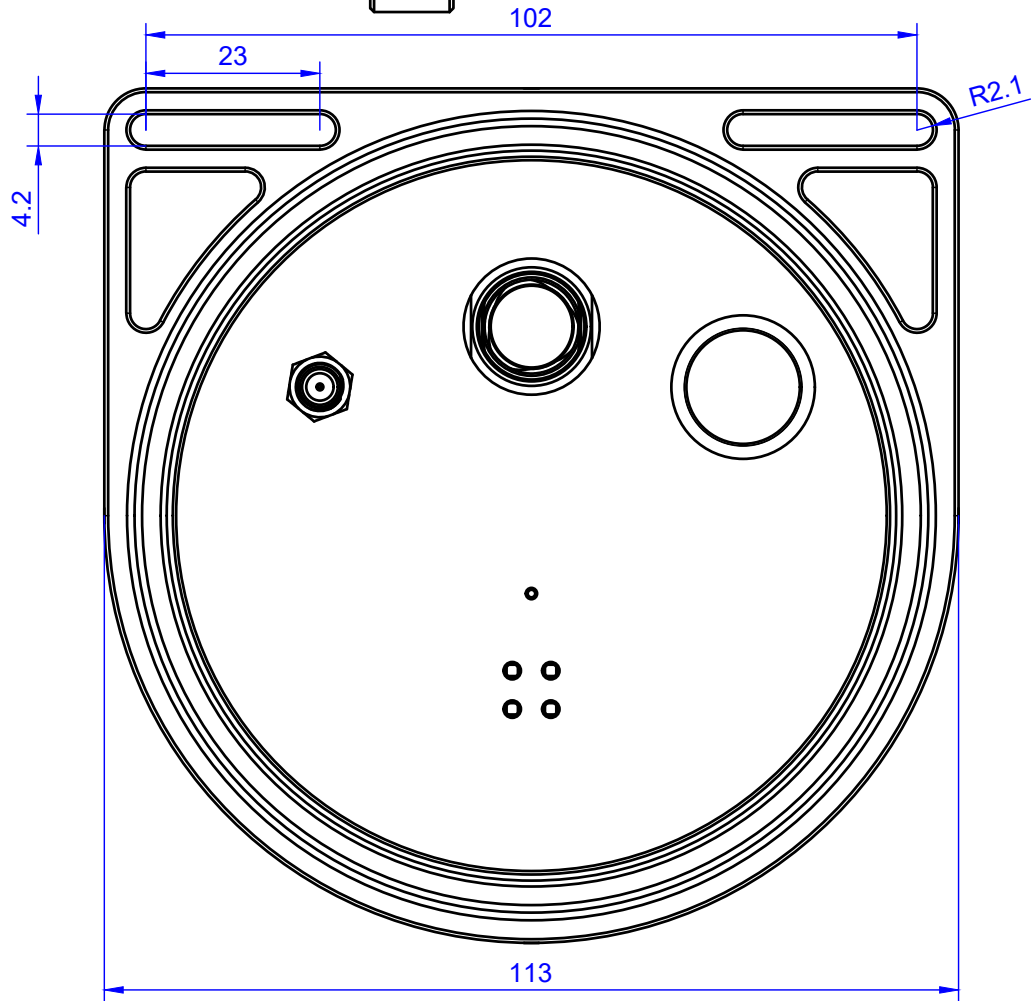
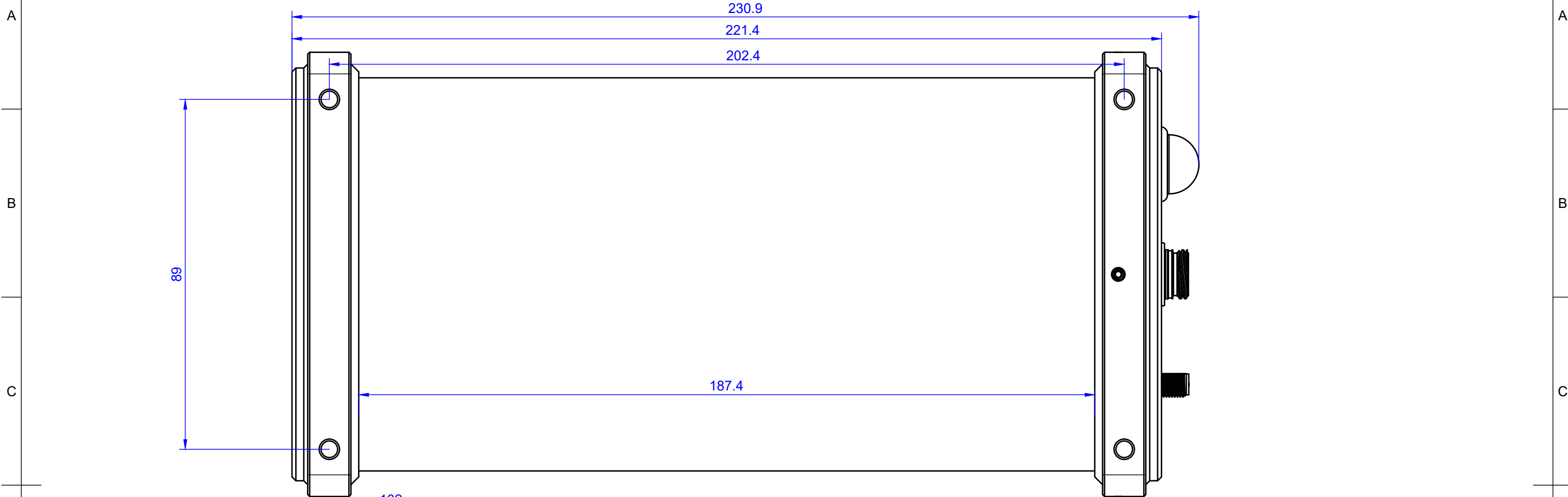



REV	Description	Date	author
1	First version	24-04-2026	Sven Zuidema



	Title	Material	Units	Scale
	MS-350 Dimensions Drawing	Aluminium and Carbon	mm	1:1
	Drawn By	Tolerances	Sheet	Sheet size
	Sven Zuidema	-	1/1	A3
Contact information	Comments			
Medusa Radiometrics B.V. Skagerrak 26 9723 JR Groningen +31150-5770280 Info@medusa-online.com WWW.medusa-online.com				