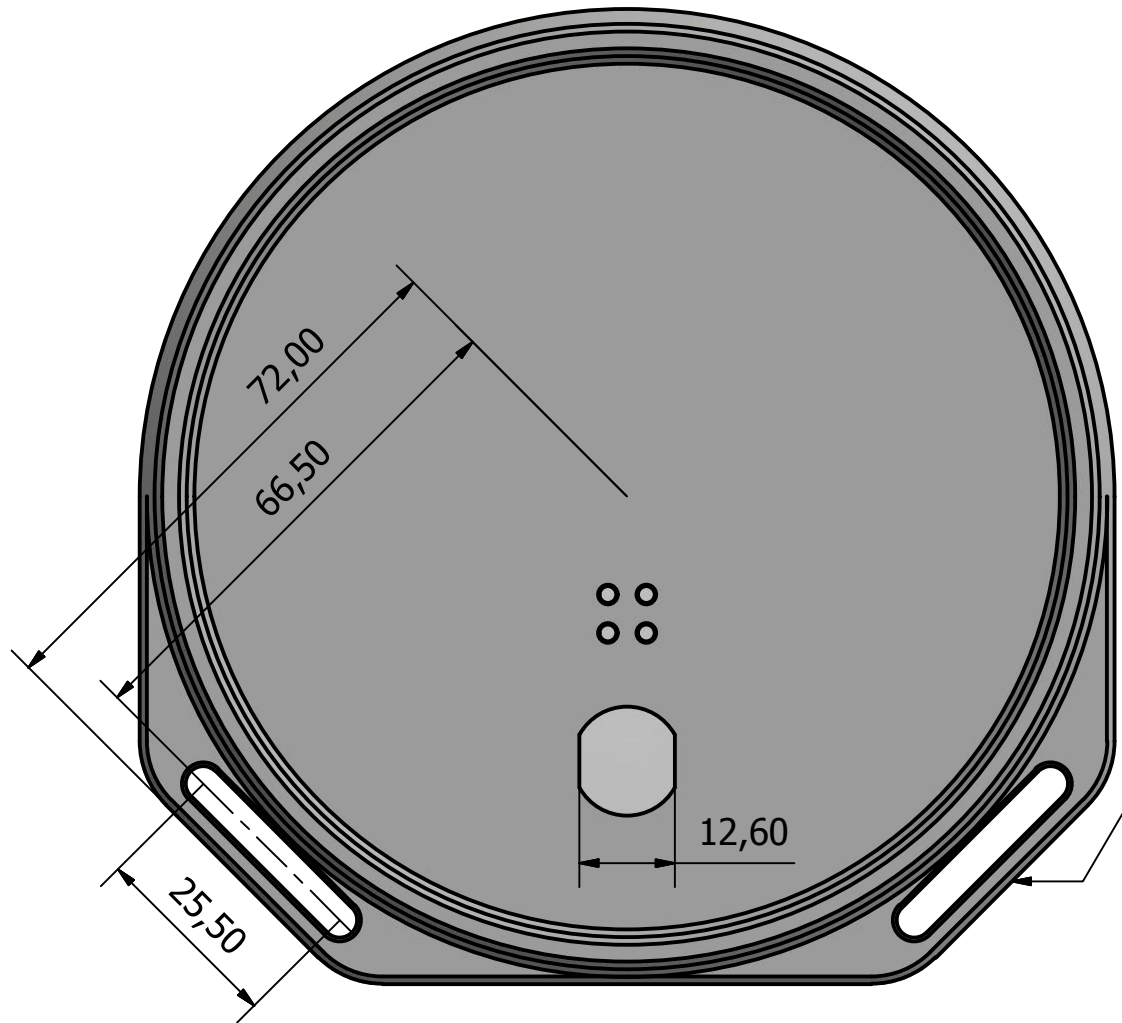


MS2000.C.XXX.DDD

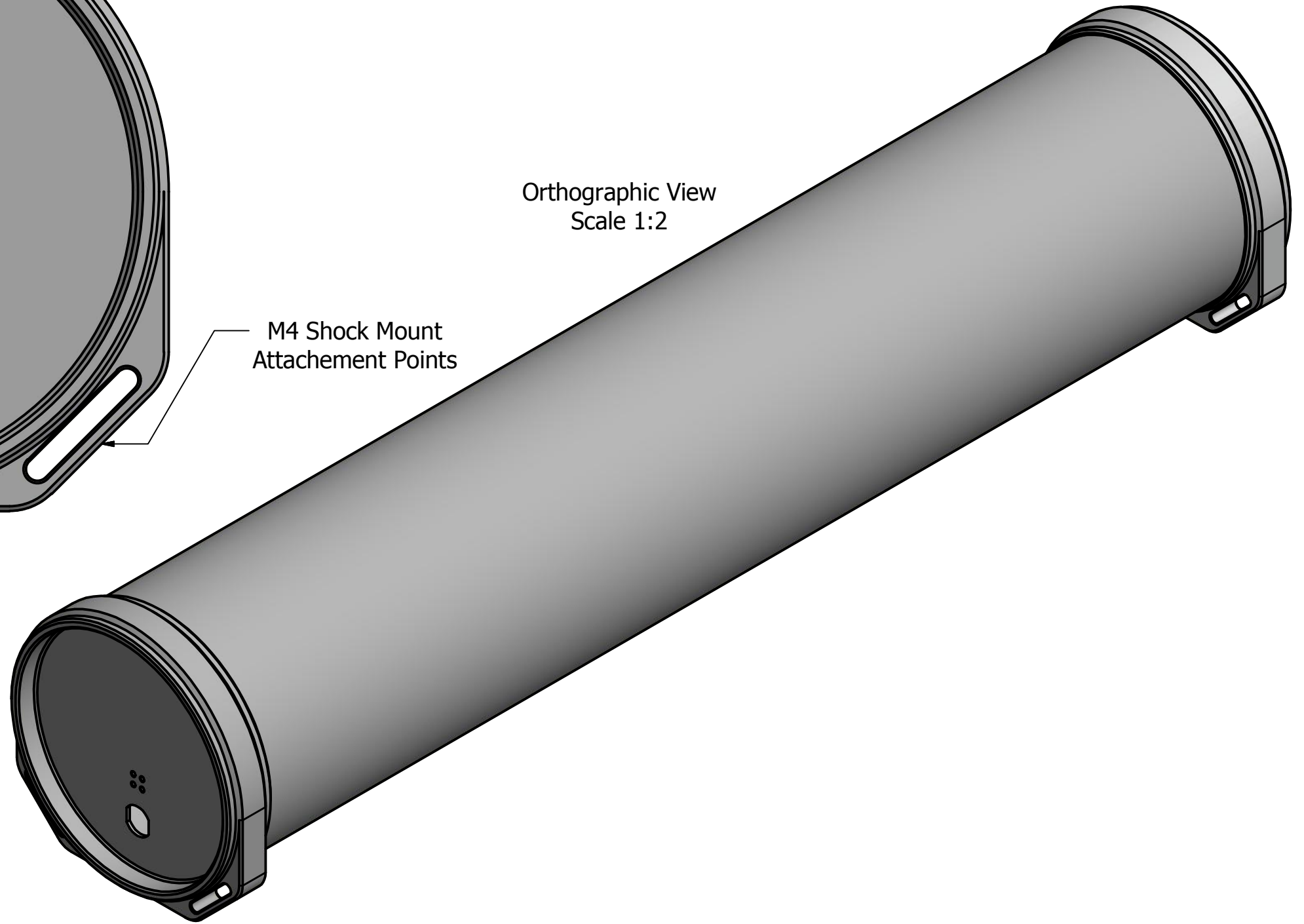
| TABLE | | |
|----------|-------|------------------------|
| Variable | Model | Identifier |
| XXX | CSI | Cesium Iodide (Na) |
| XXX | NAI | Sodium Iodide (TI) |
| DDD | MTS | Manned Terra System |
| DDD | UTS | Unmanned Terra System |
| DDD | MAS | Manned Aerial System |
| DDD | UAS | Unmanned Aerial System |



Active End View
Scale 1:1

M4 Shock Mount
Attachement Points

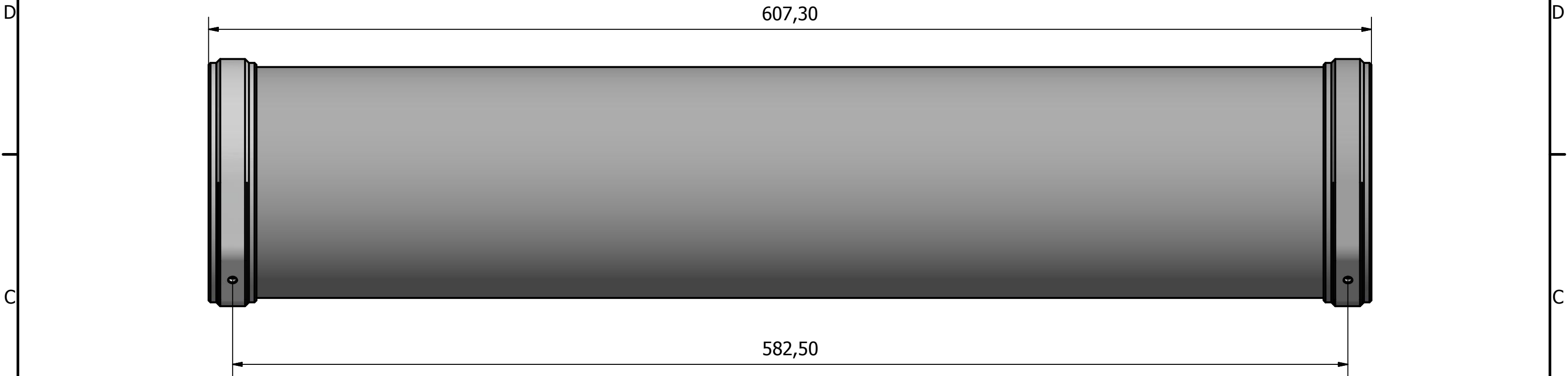
Orthographic View
Scale 1:2



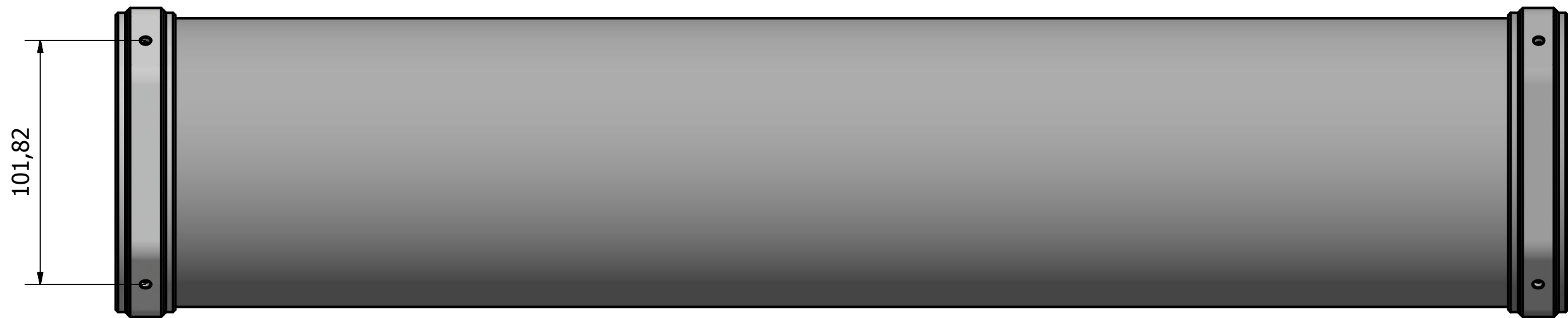
| REVISION HISTORY | | | | |
|------------------|-----|------------|------------|----------|
| ZONE | REV | DESCRIPTIO | DATE | APPROVED |
| | 3 | End Caps | 12/19/2018 | JH |

| | | | |
|-----------------------------------------------------------------------------------|------------------|-----------------------------------|------------------|
| Designed by Jon | Checked by JH | Approved by | Date 5/9/2018 |
| GeoDuster Technologies cc Office 14B, Woodmill Lane, Main Road, Knysna, RSA | | MEDUSA NEW 2017 Agri Spectrometer | |
| MS2000.C.CSI.MTS_Ver3_580 | | Edition 3 | Sheet 1 / 3 |

Left Elevation Scale 1:2

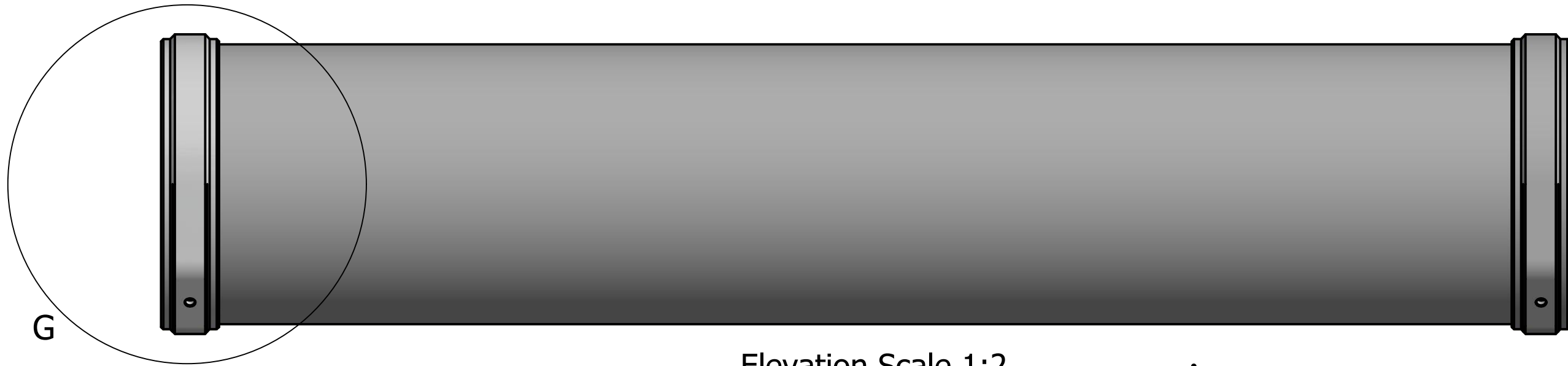


Base Elevation Scale 1:2

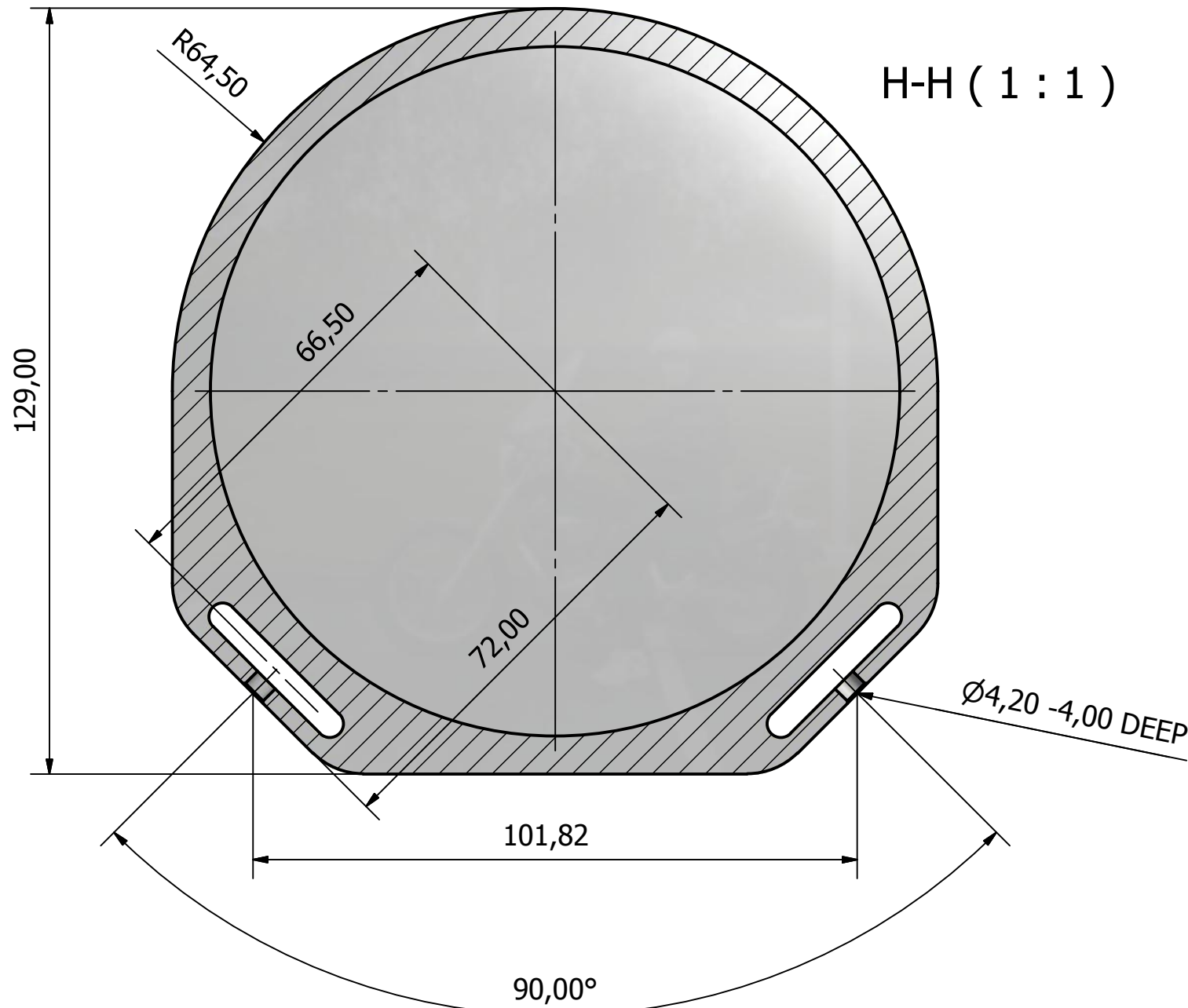


| REVISION HISTORY | | | | |
|------------------|-----|------------|------------|----------|
| ZONE | REV | DESCRIPTIO | DATE | APPROVED |
| | 3 | End Caps | 12/19/2018 | JH |

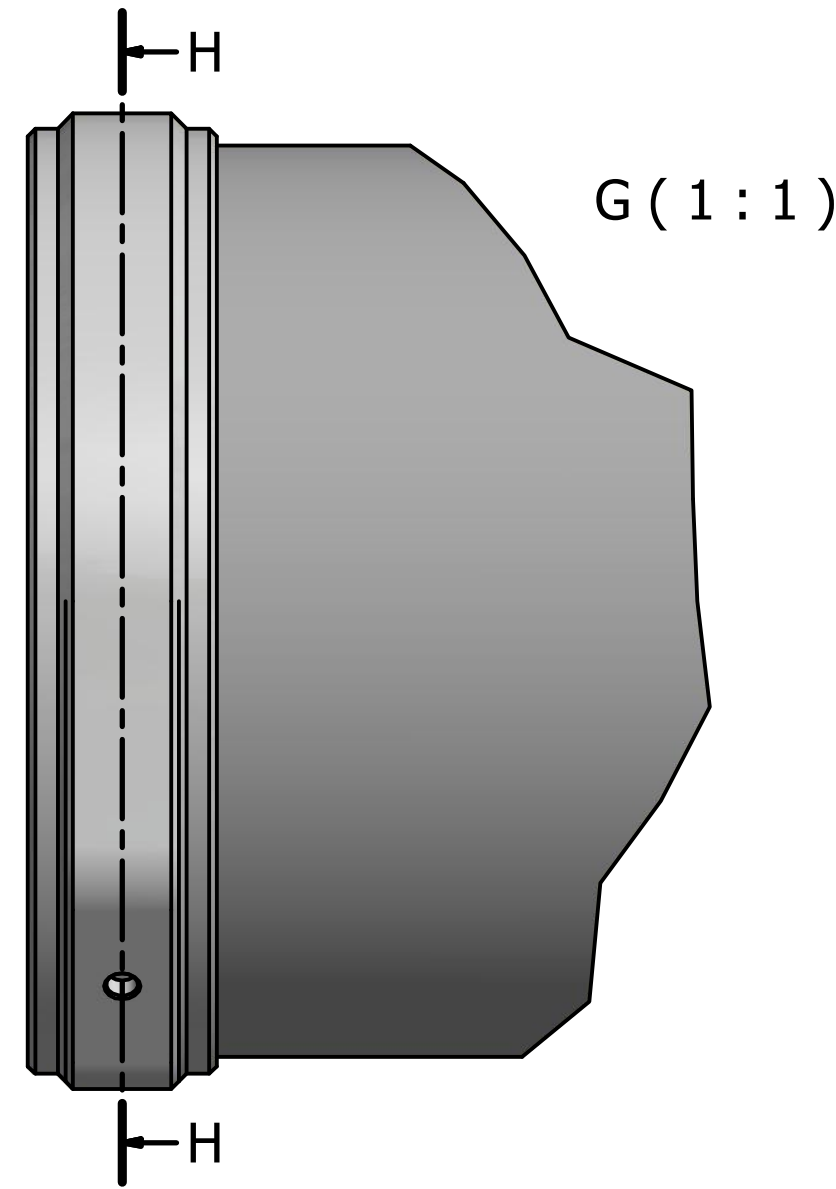
| | | | | | | |
|-----------------------------------------------------------------------------------|------------------|-------------|-----------------------------------|----------------------------------------------------------------------------------------|--------------|----------------|
| Designed by Jon | Checked by JH | Approved by | Date 5/9/2018 | Date | | |
| GeoDuster Technologies cc Office 14B, Woodmill Lane, Main Road, Knysna, RSA | | | MEDUSA NEW 2017 Agri Spectrometer | | | |
| | | | MS2000.C.CSI.MTS_Ver3_580 | <table border="1"> <tr> <td>Edition 3</td> <td>Sheet 2 / 3</td> </tr> </table> | Edition 3 | Sheet 2 / 3 |
| Edition 3 | Sheet 2 / 3 | | | | | |



Elevation Scale 1:2



H-H (1 : 1)



G (1 : 1)

| | | | | | | |
|-----------------------------------------------------------------------------------|------------------|-------------|-----------------------------------|----------------------------------------------------------------------------------------|--------------|----------------|
| Designed by Jon | Checked by JH | Approved by | Date | Date 5/9/2018 | | |
| GeoDuster Technologies cc Office 14B, Woodmill Lane, Main Road, Knysna, RSA | | | MEDUSA NEW 2017 Agri Spectrometer | | | |
| | | | MS2000.C.CSI.MTS_Ver3_580 | <table border="1"> <tr> <td>Edition 3</td> <td>Sheet 3 / 3</td> </tr> </table> | Edition 3 | Sheet 3 / 3 |
| Edition 3 | Sheet 3 / 3 | | | | | |