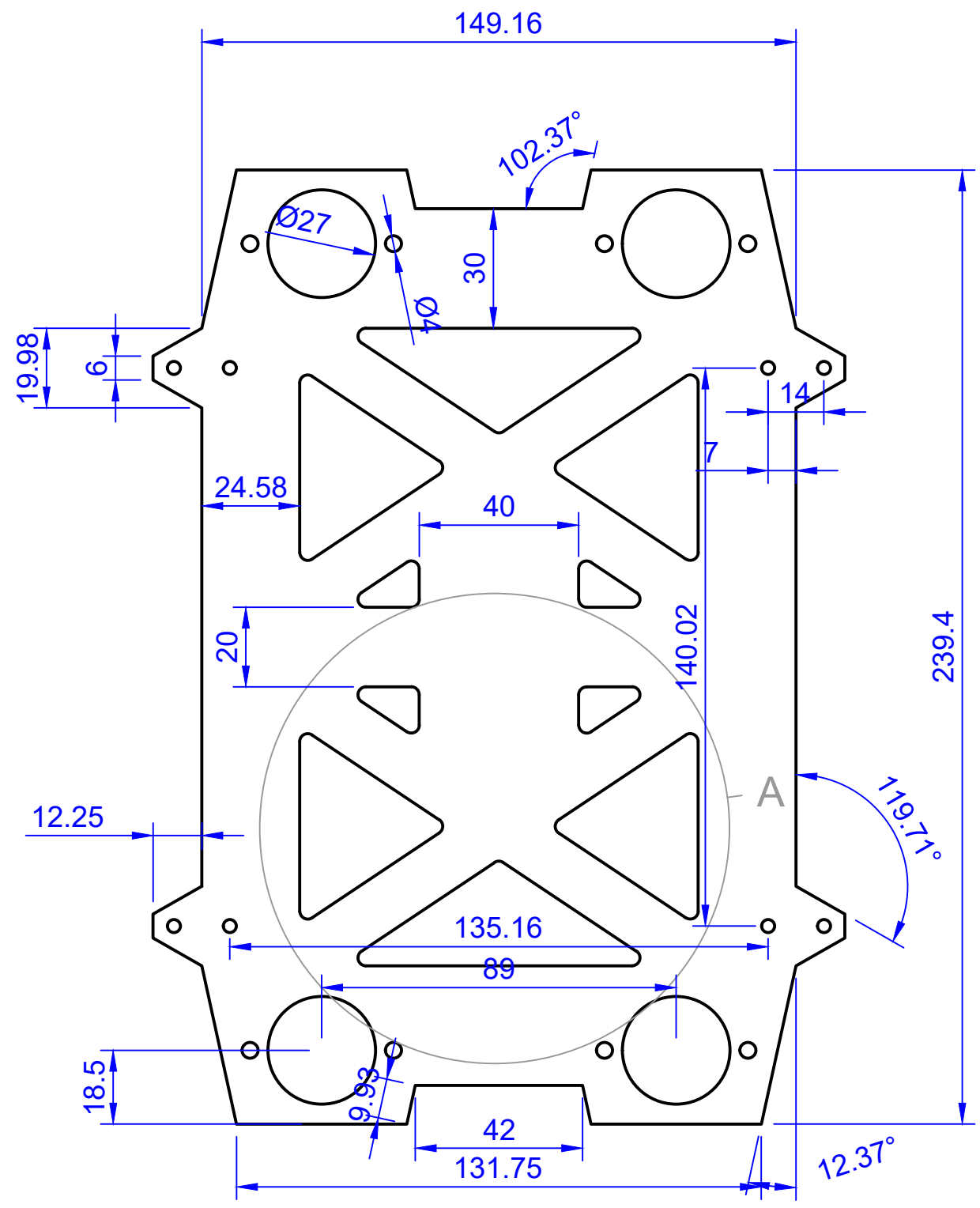
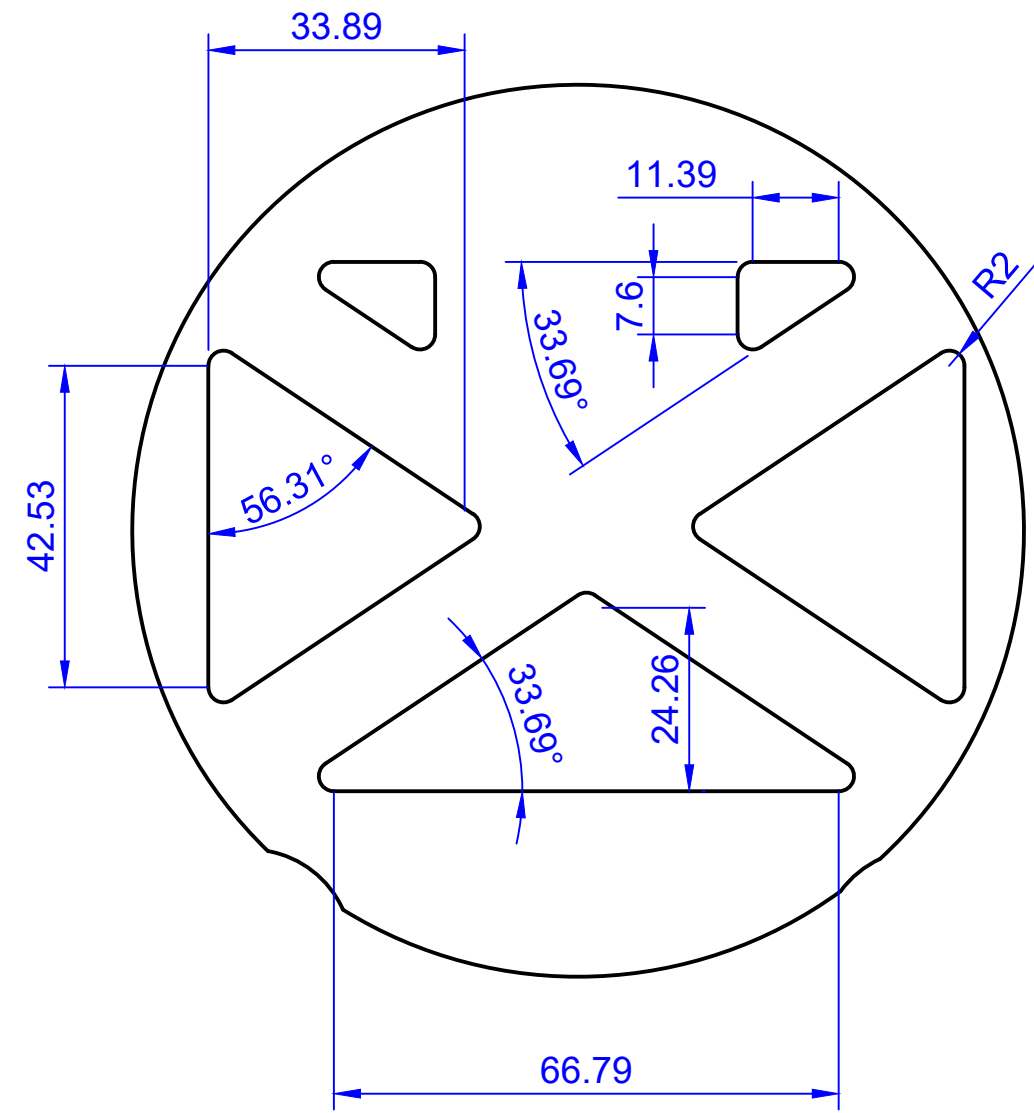



5	6	7	8
REV	Description	Date	author
1	First version	08-06-2023	Sven Zuidema



A (1:1)



	Title	Material	Units	Scale
	Drone plaat MS-350 Drawing	Carbonfiber	MM	1:1.5
	Drawn By	Tolerances	Sheet	Sheet size
	Sven Zuidema	NEN-ISO 2768-mK	1/1	A3
Contact information	Comments			
Medusa Radiometrics B.V. Skagerrak 26 9723 JR Groningen +31150-5770280 Info@medusa-online.com WWW.medusa-online.com				